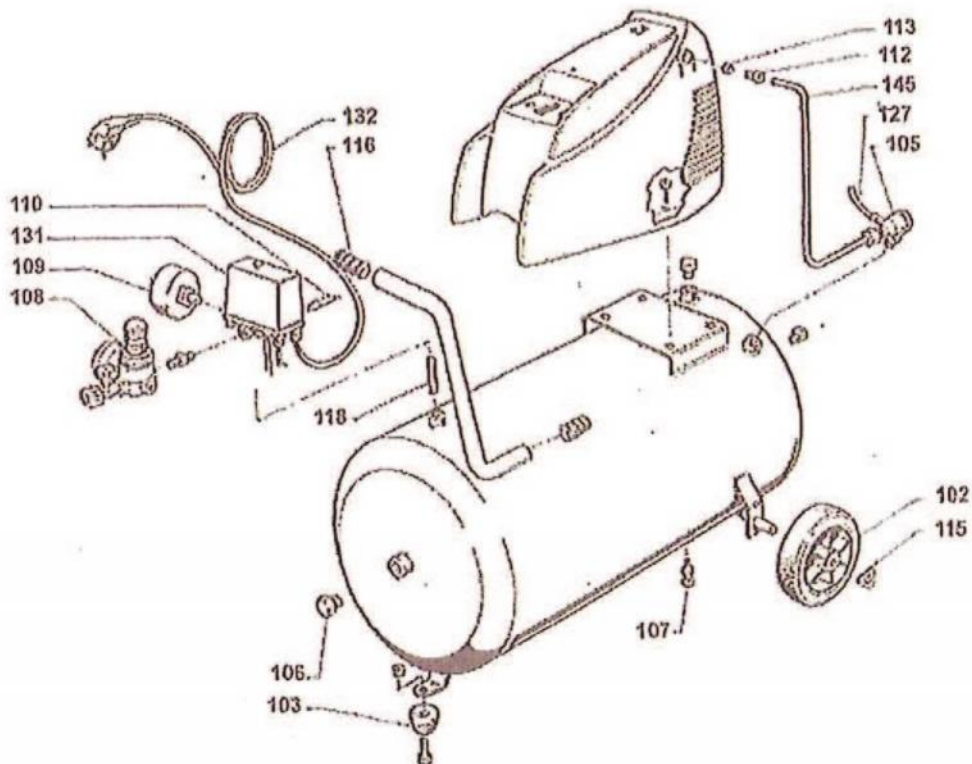
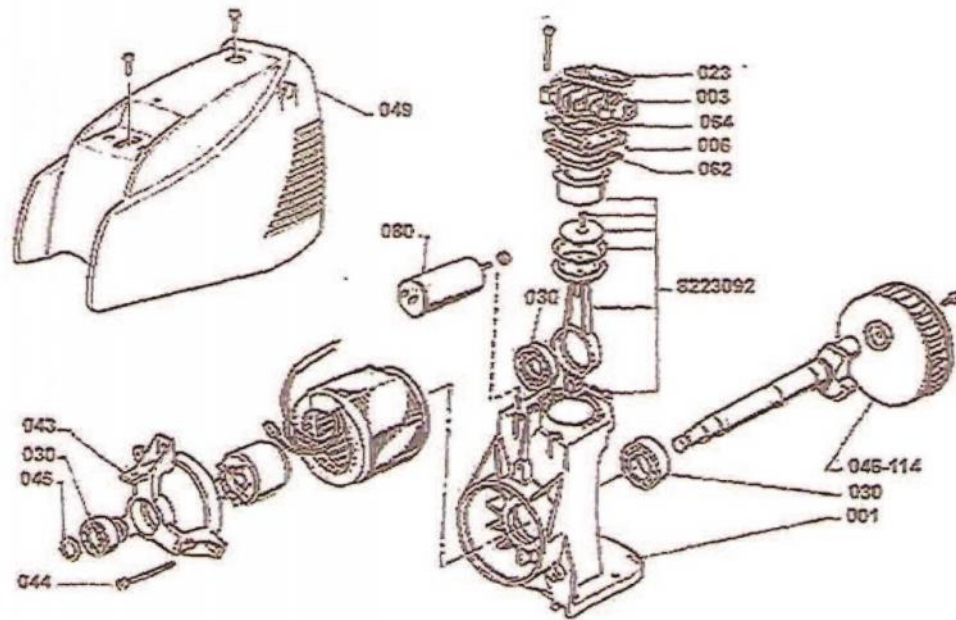


OM231/50 - A3DV404GDE

102	9042004	RAD 150 X30 LOCH 15	PZ	2
103	9038066	GUMMIFUSS	PZ	1
105	9048008	RUECKSCHLAGVENTIL 1/2" M	PZ	1
107	9053063	ABLASSHAHN 3/8"	PZ	1
108	9051082	RID.MICRO 1/4 A 1R RAP.UNIV.SG	PZ	1
109	9052014	DRUCKMESSER 50 POST 1/4 0/16	PZ	1
110	9049051	SICHERHEITSVENTIL 3/8 GAS TUV	PZ	1
112	9053159	ANSCHLUSSGEHAEUSE	PZ	1
114	9011046	PERNO RUOTA 150/175 C/TESTA	PZ	2
115	9038213	CLIP D6.5 FLAN.15 ART10007 NR	PZ	1
116	9038001	STOPF 17/20 RA20	PZ	2
127	9270006	RILSANROHR 4/6	MT	0,7
131	9063048	4 WEGE DRUCKSCHALTER 3/8 MDR1	PZ	1
132	9065066	KABEL 3X1X1500	PZ	1
145	9046803	TUBO MAND.OM 200 POLE POSITION	PZ	1



Code: 0300000
 OL 231 - 230V 50Hz 2HP



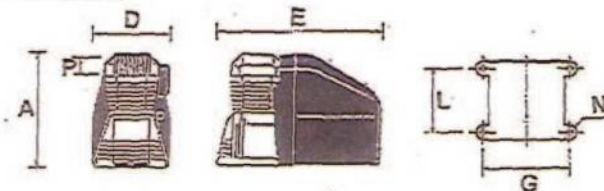
Technical Data:

Cylinders:	1	ROBASSOMERO (TO)	
Stages:	1		
Air Flow:	230 L/min	8,1	cfm
Power:	1,5 Kw	2	HP
Speed:	2850 rpm		
Max Pressure:	8 Bar	116	psi

Tightening Torques:

Bolt Size:	M6
Min Torque:	9,3 Nm
Max Torque:	11,36 Nm

Dimensions:



In mm

A	B	C	D	E	F	G	L	M	N	P
285	/	/	190	390	/	139	64	/	9	318

Box Weight: 10 Kg Box Dimensions: 201 x 401 x 327
 W x D x L

Code: 0300000

OL 231 - 230V 50Hz 2HP

Svc	Ref Code	Description	Italian	English	French	German	Spanish	Qty	Modified	Euro	
<input type="checkbox"/>	1	0361100	CARTER LAVORATO OL 231	Carter Lavorato	Crankcase	Carter	Kurbelgehäuse	Carter meca	1	18.04.1999	€ 17,85
<input type="checkbox"/>	1	0361101	CARTER LAVORATO OL 231 NE	Carter Lavorato	Crankcase	Carter	Kurbelgehäuse	Carter meca	1		€ 14,46
<input type="checkbox"/>	3	7161400	TESTA LAVORATA F1/220	Testa Lav.	Pump head	Culasse	Zylinderkopf	Culata meca	1		€ 2,68
<input checked="" type="checkbox"/>	6	0540051	GR.PIASTRA VALV.F1/D1 LAM.0.	Gr. Piastra Valvola	Valve plate assy.	Kit plaque clapets	Ventilkoerpersatz	Placa valvula	1		€ 5,08
<input checked="" type="checkbox"/>	23	7181100	FILTRO PER TESTA F1/220	Filtro	Filter	Filtre	Luftfilter	Filtro	1		€ 0,20
<input type="checkbox"/>	30	9170085	CUSCINETTO 6205-2RS	Cuscinetto	Bearing	Roulement a billes	Kugellager	Rodamiento	1		€ 3,25
<input type="checkbox"/>	30	9170097	CUSCINETTO 6005 2RS-SR12 IKL	Cuscinetto	Bearing	Roulement a billes	Kugellager	Rodamiento	1		€ 5,18
<input type="checkbox"/>	30	9170091	CUSCINETTO 6203 ZZ	Cuscinetto	Bearing	Roulement a billes	Kugellager	Rodamiento	1		€ 2,88
<input type="checkbox"/>	43	0462200	SCUDO MOT.LAVOR.OL 200	Scudo motore	Motor cover	Capot moteur	Lagerschild	Tapa motor	1		€ 5,20
<input type="checkbox"/>	44	9011040	TIR.MOT.TE C/FLANGIA MSX105	Tirante motore	Motor bolts	Vis moteur	Stehbolzen	Varilla motor	3		€ 0,18
<input type="checkbox"/>	45	9140160	SEEGER 17 UNI 7436 (1,5)	Seeger	Circlip	Circlips	Seegering	Seguer	1		€ 0,15
<input type="checkbox"/>	46	9038129	VENTOLA OILLESS 231	Ventola	Fan	Helice de ventilation	Lufterflügel	Ventilador	1		€ 1,09
<input type="checkbox"/>	49	830410D	CONVOGLIATORE OL 200 NERO	Convogliatore	Cover	Capot de protection	Abdeckhaube zu E-M	Carcasa ventilador	1		€ 2,60
<input type="checkbox"/>	62	7350300	GUARN.CILINDRO-PIASTRA F1/3	Guarnizione cilindro/pi	Cylinder - plate gasket	Joint cylindre/culasse	Ventildichtung	Junta cilindro placa	1		€ 0,45
<input type="checkbox"/>	64	6750400	GUARN.PIASTRA-TESTA B 980	Guarnizione piastra/te	Plate - head gasket	Joint plaque/tete	Zylinderkopfdichtung	Junta placa cilindro	1		€ 1,31
<input type="checkbox"/>	80	9057026	COND. 25 MF CODOLO M8	Condensatore	Capacitor	Condensateur	Kondensator	Condensador	1		€ 7,41