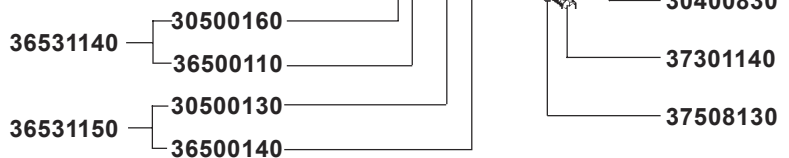
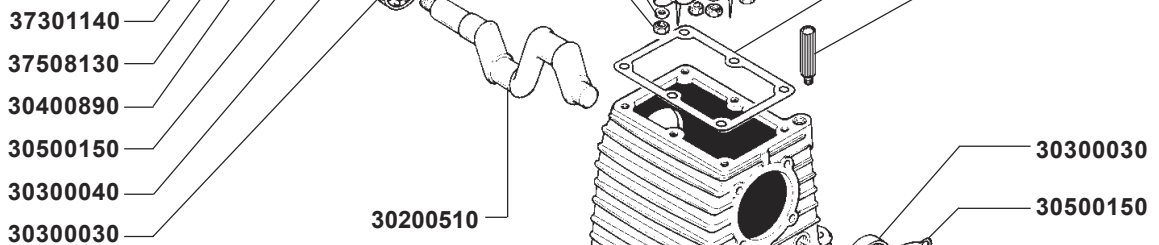
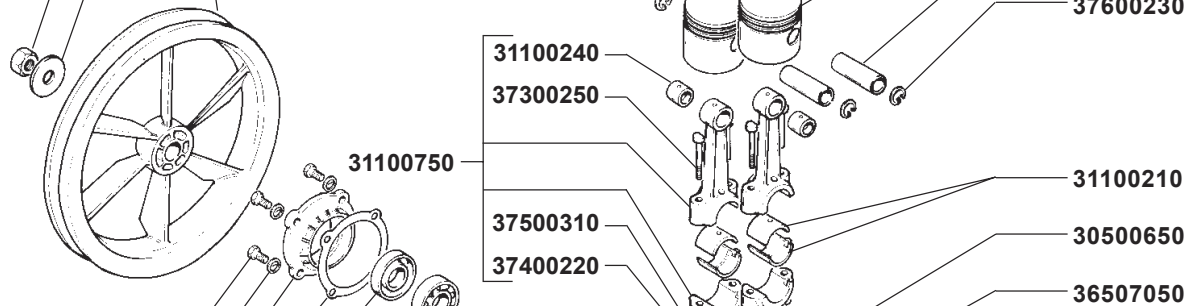
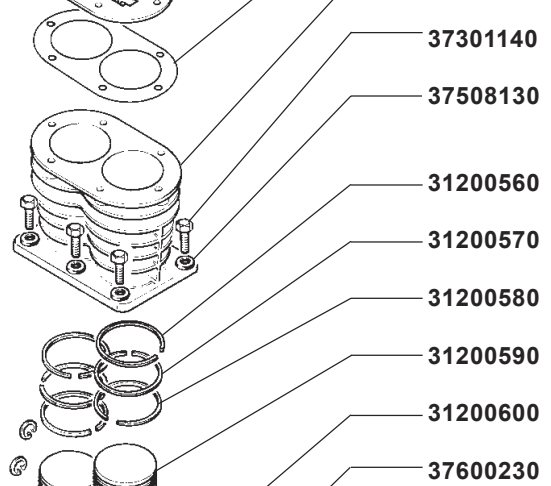
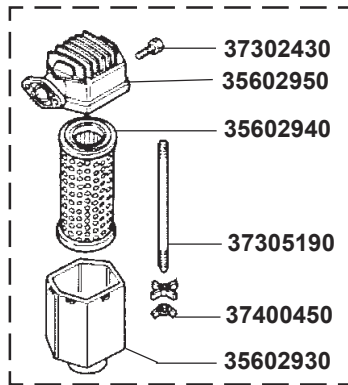
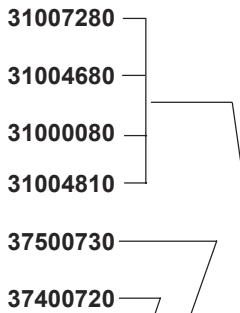
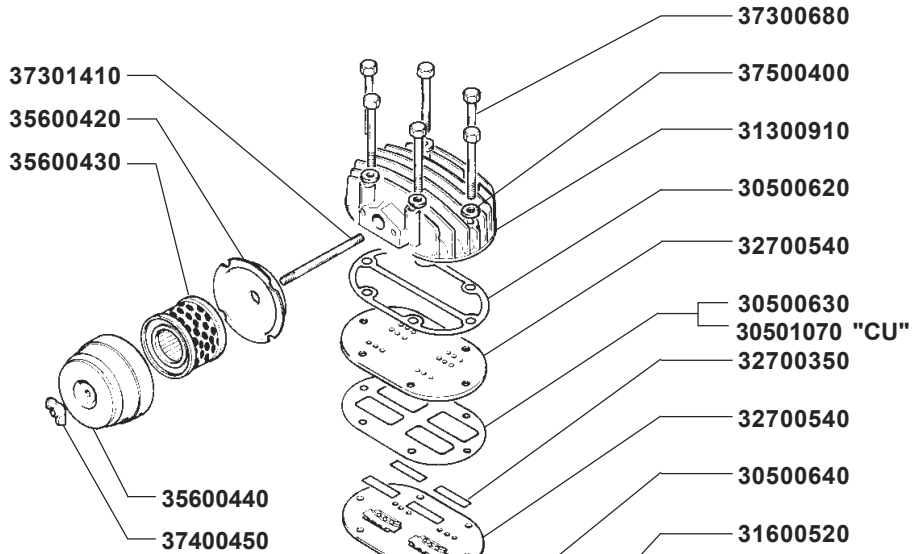
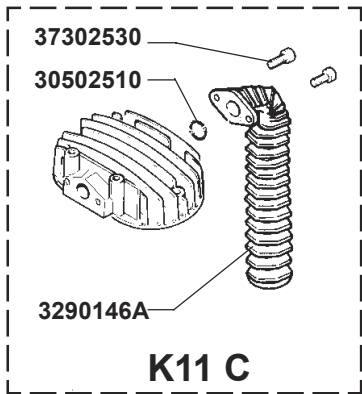


K11 - K11 C



| CODE | DENOMINAZIONE | DENOMINATION | DENOMINATION | BEZEICHNUNG | DENOMINACION |
|----------------------------------|----------------------------|---------------------------|--------------------------|-----------------------|-------------------------|
| 30200510 | Albero a gomiti | Crankshaft | Vilebrequin | Kurbelwelle | Arbol a codo |
| 30300030 | Cuscinetto | Ball bearing | Roulement à billes | Kugellager | Cojinete |
| 30300040 | Corteco | BI-angular bearing | Joint | Dichtung | Guarnición |
| 30400830 | Supporto | Support | Support | Lagerflansch | Apoyo |
| 30400890 | Supporto | Support | Support | Lagerflansch | Apoyo |
| 30500130 | Guarnizione | Gasket | Joint | Dichtung | Empaquetadura |
| 30500150 | Guarnizione | Gasket | Joint | Dichtung | Empaquetadura |
| 30500160 | Guarnizione | Gasket | Joint | Dichtung | Empaquetadura |
| 30500620 | Guarnizione | Gasket | Joint | Dichtung | Empaquetadura |
| 30500630 | Guarnizione | Gasket | Joint | Dichtung | Empaquetadura |
| 30500640 | Guarnizione | Gasket | Joint | Dichtung | Empaquetadura |
| 30500650 | Guarnizione | Gasket | Joint | Dichtung | Empaquetadura |
| 30501070 | Guarnizione Cu | Gasket Cu | Joint Cu | Dichtung Cu | Empaquetadura Cu |
| 31007280 | Volano ø280 | Flywheel ø280 | Pouille ø280 | Schwungrad ø280 | Volante ø280 |
| 31100210 | Guscio | Bearing shell | Coussin pied de bielle | Lagerschale | Colchón |
| 31100240 | Boccola | Bush | Douille | Buchse | Bullon |
| 31100750 | Bielle completa | Compl. connecting rod | Bielle complète | Pleuelstange Komplet | Biela completa |
| 31200560 | Anello di compress. | Compression ring | Anneau de compres. | Kolbenring | Anillo de compresión |
| 31200570 | Raschia olio a scalino | Stepped scraper ring | Segment huileur | Ölabstreifring | Segmento aceite |
| 31200580 | Raschia olio a feritoia | Slotted oil scraper ring | Segment racieur | Ölanstreifring | Segmento colector |
| 31200590 | Pistone ø53 | Piston ø53 | Piston ø53 | Kolben ø53 | Pistón ø53 |
| 31200600 | Spinotto | Piston pin | Axe du piston | Bolzen | Eje de la biela |
| 31300910 | Testata | Cylinderhead | Culasse | Zylinderkopf | Cabeza |
| 31600520 | Cilindro | Cylinder | Cylindre | Zylinder | Cilindro |
| 32700350 | Valvola | Valve | Clapet | Ventil | Valvula |
| 32700540 | Plastra valvole | Valves plate | Plaque clapets | Ventilplatte | Placa valvulas |
| 33100500 | Monoblocco | Crankcase | Monobloc | Zylinderblock | Monobloque |
| 35600420 | Coperchio filtro | Filter cover | Couvercle filtre | Filter Deckel | Tapa filtro |
| 35600430 | Cartuccia filtro | Filter cartridge | Cartouche filtre | Filtereinsatz | Cartucho filtro |
| 35600440 | Corpo filtro | Filter casing | Corps filtre | Filtergehäuse | Cuerpo filtro |
| 36500110 | Tappo olio | Oil plug | Bouchon de vidage | Ölschraube | Tapón aceite |
| 36500140 | Livello olio | Oil sight gauge | Jauge d'huile | Ölstand | Nivel aceite |
| 36507050 | Tappo olio | Oil plug | Bouchon de remplissage | Ölschraube | Tapón aceite |
| 36531140 | Tappo scarico olio c/joint | Oil plug discharge +joint | Bouchon de vidage +joint | Ölschraube +joint | Tapón aceite +joint |
| 36531150 | Livello olio c/joint | Oil level +/joint | Niv.d'huile +/joint | Ölstand +/joint | Visor de aceite +/joint |
| 37301140 | Vite | Screw | Vis | Schraube | Tornillo |
| 37300250 | Vite | Screw | Vis | Schraube | Tornillo |
| 37301410 | Tirante 6X115 | Tension rod 6X115 | Tirant 6X115 | Spannstange 6X115 | Tirante 6X115 |
| 37300680 | Vite | Screw | Vis | Schraube | Tornillo |
| 37400220 | Dado | Nut | Ecrou | Mutter | Dado |
| 37400450 | Dado | Nut | Ecrou | Mutter | Dado |
| 37400720 | Dado | Nut | Ecrou | Mutter | Dado |
| 37500310 | Rondella | Washer | Rondelle | Belagscheibe | Arandela |
| 37508130 | Rondella | Washer | Rondelle | Belagscheibe | Arandela |
| 37500400 | Rondella | Washer | Rondelle | Belagscheibe | Arandela |
| 37500730 | Rondella | Washer | Rondelle | Belagscheibe | Arandela |
| 37600230 | Seeger | Circlip | Seeger | Seegerring | Seeger |
| OPTIONAL COLLETTORE | | | | | |
| 30502510 | O-Ring | O-Ring | O-Ring | O-Ring | O-Ring |
| 3290146A | Collettore di scarico | Afters cooler | Collecteur d'echappement | Nachkühler | Colector de descarga |
| 37302530 | Vite | Screw | Vis | Schraube | Tornillo |
| OPTIONAL VOLANO | | | | | |
| 31000080 | Volano ø260 | Flywheel ø260 | Pouille ø260 | Schwungrad ø260 | Volante ø260 |
| 31004680 | Volano ø320 AL 1A SX | Flywheel ø320 AL | Pouille ø320 AL | Schwungrad ø320 AL | Volante ø320 AL |
| 31004810 | Volano ø320 AL 1A DX | Flywheel ø320 AL 1A | Pouille ø320 AL 1A | Schwungrad ø320 AL 1A | Volante ø320 AL 1A |
| OPTIONAL FILTRO ESAGONALE | | | | | |
| 35602930 | Corpo filtro | Filter casing | Corps filtre | Filtergehäuse | Cuerpo filtro |
| 35602940 | Cartuccia filtro | Filter cartridge | Cartouche filtre | Filtereinsatz | Cartucho filtro |
| 35602950 | Coperchio filtro | Filter cover | Couvercle filtre | Filter Deckel | Tapa filtro |
| 37302430 | Vite | Screw | Vis | Schraube | Tornillo |
| 37305190 | Tirante | Tension rod | Tirant | Spannstange | Tirante |