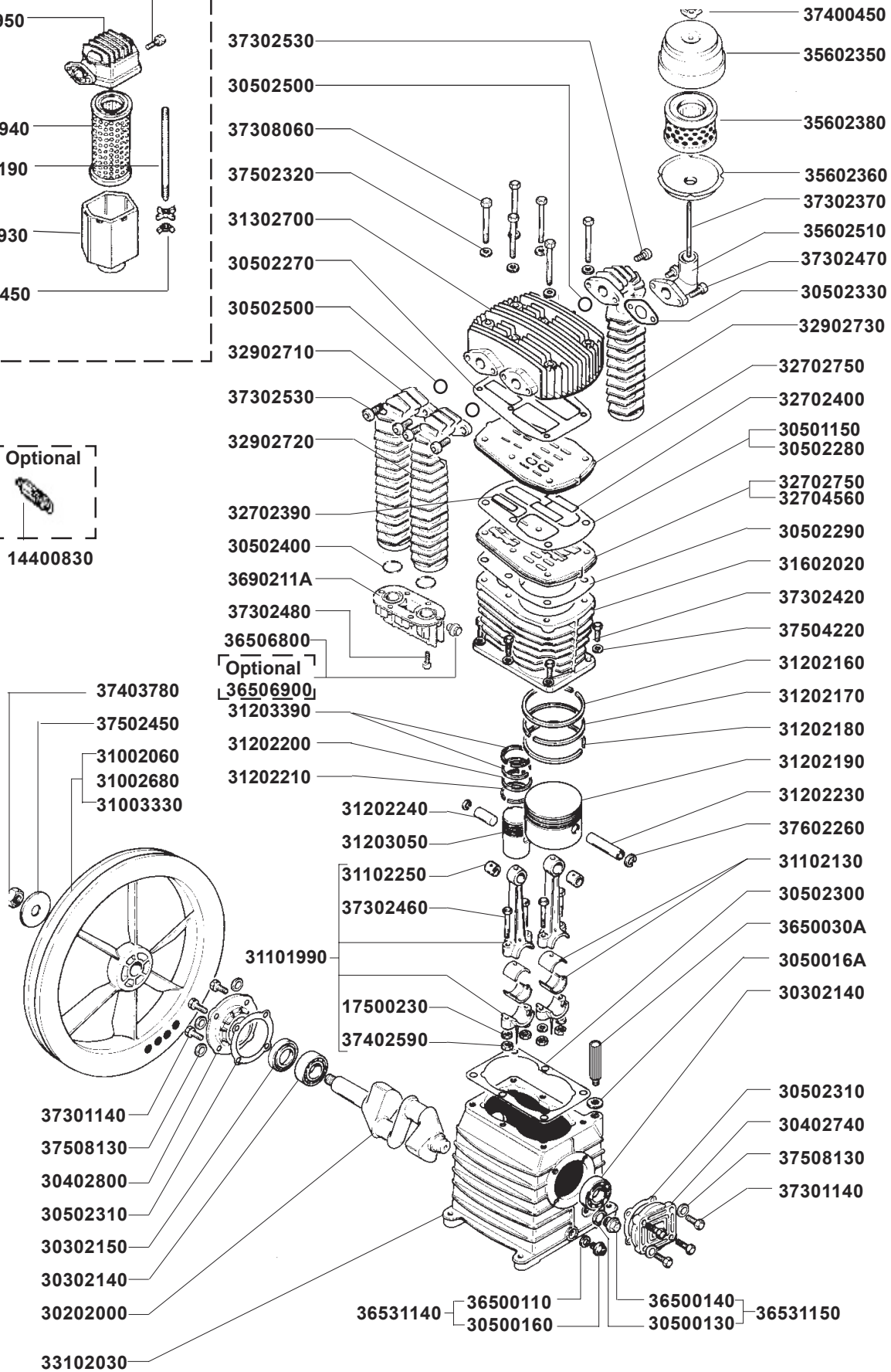
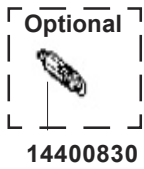
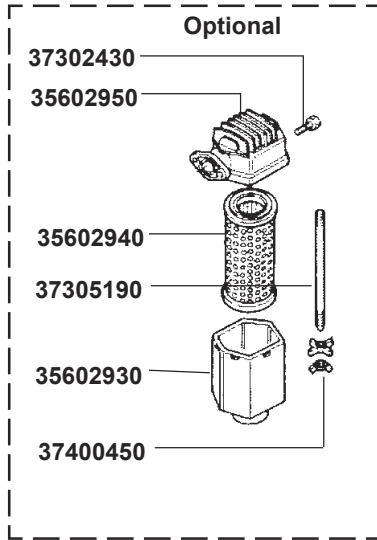


K30



CODE	DENOMINAZIONE	DENOMINATION	DENOMINATION	BEZEICHNUNG	DENOMINACION
30202000	Albero a gomito	Grankshaft	Vilebrequin	Kurbelwelle	Arbol a codo
30302140	Cuscinetto	Ball bearing	Roulement à billes	Kugellager	Cojinete
30302150	Corteco	Bi-angular bearing	Joint	Dichtungsring	Guarnición
30402740	Supporto	Support	Support	Lagerflansch	Apoyo
30402800	Supporto	Support	Support	Lager	Apoyo
3050016A	Guarnizione	Gasket	Joint	Dichtung	Empaquetadira
30500130	Guarnizione	Gasket	Joint	Dichtung	Empaquetadira
30500160	Guarnizione	Gasket	Joint	Dichtung	Empaquetadura
30502270	Guarnizione	Gasket	Joint	Dichtung	Empaquetadura
30502280	Guarnizione	Gasket	Joint	Dichtung	Empaquetadura
30502290	Guarnizione	Gasket	Joint	Dichtung	Empaquetadura
30502300	Guarnizione	Gasket	Joint	Dichtung	Empaquetadura
30502310	Guarnizione	Gasket	Joint	Dichtung	Empaquetadura
30502500	Guarnizione OR	Gasket OR	Joint OR	Dichtung OR	Empaquetadura OR
30502330	Guarnizione	Gasket	Joint	Dichtung	Empaquetadura
31002060	Volano Ø385	Flywheel Ø385	Poulie Ø 385	Schwungrad Ø385	Volante ø385
31101990	Biella completa	Complete connecting rod	Bielle complète	PLueilstange komplet	Biela completa
31102130	Guscio	Bearing shell	Coussin pied de bielle	fLagerschale	Colchòn
31102250	Boccola	Bush	Douille	Buchse	Bullon
31202160	Anello compressione BP	Compression ring BP	Anneau compression BP	Kolbenring BP	Anillo de compresión
31202170	Raschia olio a scalino BP	Stepped oil scraper BP	Segment huileur BP	Ölabstreifring BP	Segmento aceite BP
31202180	Raschia olio a feritoia BP	Slotted oil scraper BP	Segment racleur BP	Ölanstreifring BP	Segmento colector BP
31202190	Pistone BP Ø105	Piston BP Ø105	Piston BP Ø105	Kolben BP Ø105	Piston
31202200	Raschia olio a scalino AP	Stepped oil scraper AP	Segment huileur AP	Ölabstreifring AP	Segmento aceite AP
31202210	Raschia olio a feritoia AP	Slotted oil scraper AP	Segment racleur AP	Ölanstreifring AP	Segmento colector AP
31202230	Spinotto BP	Piston pin BP	Axe du piston BP	Bolzen BP	Bullon
31202240	Spinotto AP	Piston pin AP	Axe du piston AP	Bolzen AP	Bullon
31203050	Pistone AP Ø 52	Piston AP Ø 52	Piston AP Ø 52	Kolben AP Ø 52	Piston AP ø52
31203390	Anello compressione AP	Compression ring AP	Anneau compression AP	Kolbenring AP	Anillo de compresión AP
31302700	Testata	Cylinder head	Culasse	Zylinderkopf	Cabeza
31602020	Cilindro	Cylinder	Cylindre	Zylinder	Cilindro
32702390	Valvola AP	VALve AP	Clapet AP	Ventil AP	Valvula AP
32702400	Valvola BP	Valve BP	Clapet BP	Ventil BP	Valvula BP
32702750	Piastra valvole	Valves plate	Plaque clapets	Ventilplatte	Placa valvulas
32902710	Collettore	Cooler	Collecteur	Sammelrohr	Colector
32902720	Collettore	Cooler	Collecteur	Sammelrohr	Colector
32902730	Collettore di scarico	Aftercooler	Collecteur d'échappement	Nachkühler	Colector de descarga
33102030	Monoblocco	Crankcase	Monobloc	Zylinderblock	Monobloque
35602350	Corpo filtro	Filter casing	Corps filtre	Filtergehäuse	Corpo filtro
35602360	Coperchio filtro	Filter cover	Couvercle filtre	Filter Deckel	Tapa filtro
35602380	Cartuccia filtro	Filter cartridge	Cartouche filtre	Filtereinsatz	Cartucho filtro
35602510	Curva	Elbow	Coude	Kniestück	Curva
36500110	Tappo olio	Oil plug	Bouchon de vidage	Ölschraube	Tapòn aceite
36500140	Livello olio	Oil sight gauge	Jauge d'huile	Ölstand	Nivel aceite
36531140	Tappo olio+guarn.	Oil plug+gasket	Bouch. de vidage+Joint	Ölschraube+dichtung	Tapòn aceite+empaqu
36531150	Livello olio+guarn.	Oil sight gauge+gaske	Jauge d'huile+Joint	Ölstand+dichtung	Nivel aceite+empaque
3650030A	Tappo olio	Oil plug	Bouchon de remplissage	Ölschraube	Tapòn aceite
37301140	Vite	Screw	Vis	Schraube	Tornillo
37302370	Tirante	Tension rod	Tirant	Spannstange	Tirante
37302420	Vite	Screw	Vis	Schraube	Tornillo
37302460	Vite	Screw	Vis	Schraube	Tornillo
37302470	Vite	Screw	Vis	Schraube	Tornillo
37302530	Vite	Screw	Vis	Schraube	Tornillo
37308060	Vite	Screw	Vis	Schraube	Tornillo
37400450	Dado	Nut	Ecrou	Mutter	Dado
37402590	Dado	Nut	Ecrou	Mutter	Dado
37403780	Dado	Nut	Ecrou	Mutter	Dado
37508130	Rondella	Washer	Rondelle	Beilagscheibe	Arandela
17500230	Grover D8	Grover D8	Grover D8	Grover D8	Grover D8
37502320	Rondella	Washer	Rondelle	Beilagscheibe	Arandela
37502450	Rondella	Washer	Rondelle	Beilagscheibe	Arandela
37504220	Rondella	Washer	Rondelle	Beilagscheibe	Arandela
37602260	Seeger	Circlip	Seeger	Seegerring	Seeger
OPTIONAL VOLANI					
31002680	Volano Ø400	Flywheel Ø400	Poulie Ø 400	Schwungrad Ø400	Volante ø400
31003330	Volano Ø385 1B	Flywheel Ø385 1B	Poulie Ø 385 1B	Schwungrad Ø385 1B	Volante ø385 1B
PREMONTATO COLLETTORE DOPPIO CON TAPPO COD. 32554050					
30502400	Guarnizione OR	OR Gasket	Joint OR	Dichtung OR	Empaquetadura OR
32902710	Collettore	Cooler	Collecteur	Sammelrohr	Colector
32902720	Collettore	Cooler	Collecteur	Sammelrohr	Colector
36506800	Tappo	Plug	Bouchon	Stopsel	Tapon
3690211A	Raccordo 1-2	Connector 1-2	Collecteur 1-2	Anschlußstück 1-2	Empalmadura 1-2
37302480	Vite	Screw	Vis	Schraube	Tornillo
OPTIONAL PREMONTATO COLLETTORE DOPPIO CON RIDUZIONE COD. 32510500					
30502400	Guarnizione OR	OR Gasket	Joint OR	Dichtung OR	Empaquetadura OR
32902710	Collettore	Cooler	Collecteur	Sammelrohr	Colector
32902720	Collettore	Cooler	Collecteur	Sammelrohr	Colector
36506900	Riduzione	Reduction	Riduction	Umwandlung	Reduccion
3690211A	Raccordo 1-2	Connector 1-2	Collecteur 1-2	Anschlußstück 1-2	Empalmadura 1-2
37302480	Vite	Screw	Vis	Schraube	Tornillo
OPTIONAL GUARNIZIONE					
30501150	Guarnizione Cu	Gasket Cu	Joint Cu	Dichtung Cu	Empaquetadura Cu
OPTIONAL PIASTRA					
32704560	Piastra valvole	Valves plate	Plaque clapets	Ventilplatte	Placa valvulas
ALTRI OPTIONAL					
14400830	Valvola di sicurezza	Safety valve	Clapet de sureté	Sicherventil	Valvula de seguridad