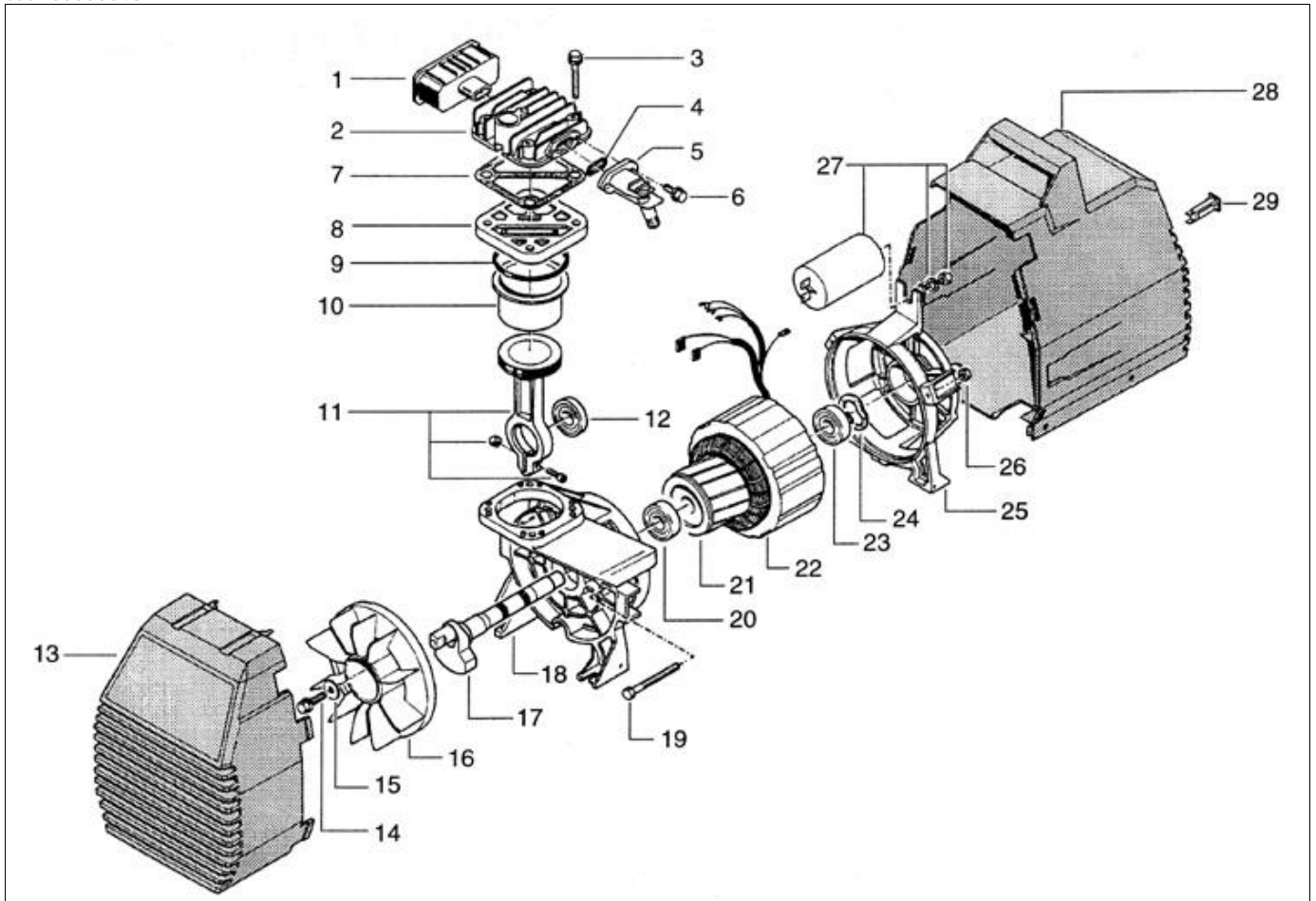


# OL195-1,5M (516HL10604)

cod: 0000048



| Ref. | Kode      | Beschreibung                          | Menge | Durchdacht | cod: 002 |
|------|-----------|---------------------------------------|-------|------------|----------|
| 1    | 317028000 | ANSAUGFILTER COMPLETO OL 200          | 1     | 10         |          |
| 2    | 016005009 | KOPF OL200                            | 1     | -          |          |
| 3    | 014013027 | SCHRAUBE M6X45 TAP-TITE F/RO ZINC.    | 4     | -          |          |
| 4    | 010058000 | O-RING 4081                           | 1     | -          |          |
| 5    | 016005003 | KOLLEKTOR OL200                       | 1     | -          |          |
| 6    | 014013021 | GEWINDESCHNEIDSCHRAUBE M6X20 TAP-     | 2     | -          |          |
| 7    | 116005017 | KOPFDICHTUNG OL 200                   | 1     | -          |          |
| 8    | 416005008 | VENTILHALTEPLATTE COMPL.OL 200        | 1     | 6          |          |
| 9    | 010057000 | O-RING 4262 SILICONE                  | 1     | -          |          |
| 10   | 016005007 | ZYLINDER OL 200 ALL.                  | 1     | -          |          |
| 11   | 416115000 | KOMPLETTER KOLBEN OL195/N 50 HZ       | 1     | 2          |          |
| 12   | 033059000 | LAGER 6203-DDU-CE-ENSS NSK            | 1     | -          |          |
| 13   | 116005010 | LÜFTERRADABDECKUNG OL 200             | 1     | -          |          |
| 14   | 014001022 | SCHRAUBE M6X16 UNI 5739-5D VERZINKT   | 1     | -          |          |
| 15   | 116010013 | UNTERLEGSCHIEBE 7X21 TRANC.ZINC.OL202 | 1     | -          |          |
| 16   | 116010004 | LÜFTERRAD PLASTICA OL 202             | 1     | 2          |          |
| 17   | 116115001 | KURBELWELLE OL195                     | 1     | -          |          |
| 18   | 016010025 | KURBELGEHÄUSE OL202                   | 1     | -          |          |
| 19   | 014002121 | SCHRAUBE M5X70 UNI5737-8.8 ZINC.      | 3     | -          |          |
| 20   | 033028000 | LAGER 6204-2RS (204714)               | 1     | -          |          |
| 21   | 034133000 | ROTOR 70X45-18 CA SILUMIN PO1         | 1     | -          |          |
| 22   | 316115604 | WICKELSTATOR OL195 23050 MOT.PR       | 1     | 1          |          |
| 23   | 033070000 | LAGER 6202-2Z (153511)                | 1     | -          |          |
| 24   | 027011000 | AUSGLEICHRING K2 34,5X27,5X0,5        | 1     | -          |          |
| 25   | 116010016 | KALOTTE OL102-195 RULLATA             | 1     | -          |          |
| 26   | 014004001 | SELBSTSICHERNDE MUTTER M5 TIPO N      | 3     | -          |          |

|    |           |                                 |   |   |
|----|-----------|---------------------------------|---|---|
| 27 | 009200014 | KONDENSATOR 450/20 C8/D SEV-VDE | 1 | 2 |
| 28 | 116005030 | VERKLEIDUNG OL200 CON FORO      | 1 | - |
| 29 | 008040000 | MOTORSCHUTZ, MANUELL 8A SEV-CSA | 1 | 1 |